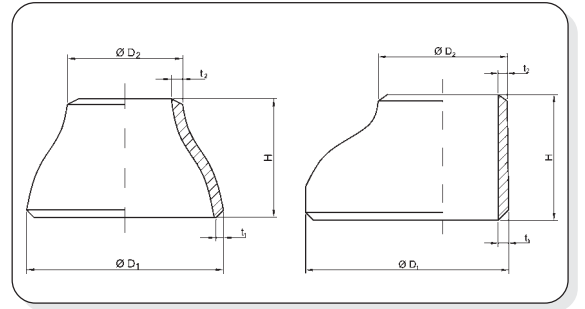


Reducción Concéntrica y Excéntrica.

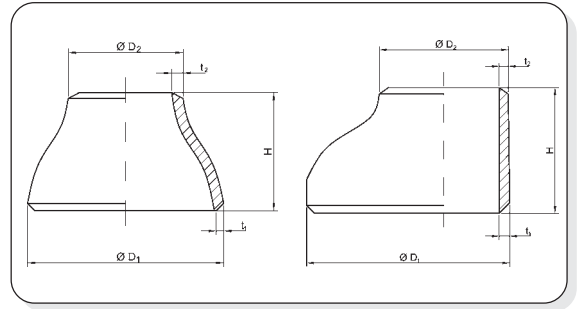
ANSI B-16.9



Diámetro nominal	Diámetro exterior al bisel (mm) D		De extremo a extremo H (mm)	SCH 10	SCH 20	SCH 30	STD	SCH 40	SCH 60	X.S.	SCH 80	SCH 100	SCH 120	SCH 140	SCH 160	X.X.S.
	Mayor (mm)	Menor (mm)		t1 (mm)	t2 (mm)	t1 (mm)	t2 (mm)	t1 (mm)	t2 (mm)	t1 (mm)	t2 (mm)	t1 (mm)	t2 (mm)	t1 (mm)	t2 (mm)	t1 (mm)
3/4" x 1/2"	26.67	21.34	38.1			2.41	2.87				3.31				5.56	7.82
3/4" x 3/8"	26.67	17.27	38.1			2.41	2.87				3.73				4.78	7.47
1" x 3/4"	33.53	26.67	50.8			2.90	3.38				4.55				6.35	9.09
1" x 1/2"	33.53	21.34	50.8			2.90	3.38				4.55				6.35	9.09
1 1/4" x 1"	42.16	33.53	50.8			2.97	3.56				4.85				6.35	9.70
1 1/4" x 3/4"	42.16	26.67	50.8			2.97	3.56				4.85				6.35	9.70
1 1/4" x 1/2"	42.16	21.34	50.8			2.97	3.56				4.85				6.35	9.70
1 1/2" x 1 1/4"	48.26	42.16	63.5			3.18	3.68				5.08				7.13	10.16
1 1/2" x 1"	48.26	33.53	63.5			3.18	3.68				5.08				7.13	10.16
1 1/2" x 3/4"	48.26	26.67	63.5			3.18	3.68				5.08				7.13	10.16
1 1/2" x 1/2"	48.26	21.34	63.5			3.18	3.68				5.08				7.13	10.16
2" x 1 1/2"	60.45	48.26	76.2			3.18	3.91				5.54				8.74	11.07
2" x 1 1/4"	60.45	42.16	76.2			3.18	3.91				5.54				8.74	11.07
2" x 1"	60.45	33.53	76.2			3.18	3.91				5.54				8.74	11.07
2" x 3/4"	60.45	26.67	76.2			3.18	3.91				5.54				8.74	11.07
2 1/2" x 2"	73.12	60.45	88.9			4.78	5.16				7.01				9.52	14.02
2 1/2" x 1 1/2"	73.12	48.26	88.9			4.78	5.16				7.01				9.52	14.02
2 1/2" x 1 1/4"	73.12	42.16	88.9			4.78	5.16				7.01				9.52	14.02
2 1/2" x 1"	73.12	33.53	88.9			4.78	5.16				7.01				9.52	14.02
3" x 2"	88.9	73.15	88.9			4.78	5.49				7.62				11.13	15.24
3" x 1 1/2"	88.9	60.45	88.9			4.78	5.49				7.62				11.13	15.24
3" x 1 1/4"	88.9	42.16	88.9			4.78	5.49				7.62				11.13	15.24
3 1/2" x 3"	101.6	88.9	101.6			4.78	5.74				8.08				13.50	19.05
3 1/2" x 2 1/2"	101.6	73.15	101.6			4.78	5.74				8.08				13.50	19.05
3 1/2" x 2"	101.6	60.45	101.6			4.78	5.74				8.08				13.50	19.05
3 1/2" x 1 1/2"	101.6	48.26	101.6			4.78	5.74				8.08				13.50	19.05
3 1/2" x 1 1/4"	101.6	42.16	101.6			4.78	5.74				8.08				13.50	19.05
4" x 3 1/2"	114.3	101.6	101.6			4.78	6.02				8.56				15.87	22.87
4" x 3"	114.3	88.9	101.6			4.78	6.02				8.56				15.87	22.87
4" x 2 1/2"	114.3	73.15	101.6			4.78	6.02				8.56				15.87	22.87
4" x 2"	114.3	60.45	101.6			4.78	6.02				8.56				15.87	22.87
5" x 4"	141.22	114.3	127			6.55	6.02				9.52				16.87	24.14
5" x 3 1/2"	141.22	101.6	127			6.55	6.02				9.52				16.87	24.14
5" x 3"	141.22	110.49	127			6.55	6.02				9.52				16.87	24.14
5" x 2 1/2"	141.22	73.15	127			6.55	6.02				9.52				16.87	24.14
5" x 2"	141.22	60.45	127			6.55	6.02				9.52				16.87	24.14

Reducción Concéntrica y Excéntrica

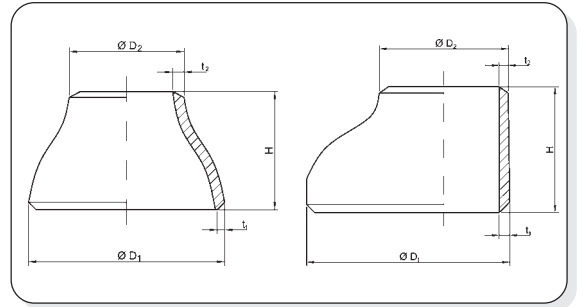
ANSI B-16.9



Diámetro nominal	Diámetro exterior al bisel (mm) D	De extremo a extremo H (mm)	SCH 10	SCH 20	SCH 30	STD	SCH 40	SCH 60	X.S.	SCH 80	SCH 100	SCH 120	SCH 140	SCH 160	X.X.S.
			t_1 (mm) t_2 (mm) masa (Kg)												
24" x 22"	610	508	6.35	9.52	14.27	9.52		24.61	12.70	30.96	38.89	46.02	52.37	59.54	
	559		6.35	9.52	12.70	9.52		22.22	22.22	28.58	34.92	41.27	47.62	53.97	
24" x 20"	610	508	6.35	Utilizar STD	14.27	9.52	17.48	24.61	12.70	30.96	38.89	46.02	52.37	59.54	
	508		6.35		12.70	9.52	15.09	20.62	26.18	32.54	38.10	44.45	50.01		
24" x 18"	610	508	6.35	9.52	14.27	9.52	17.48	24.61	12.70	30.96	38.89	46.02	52.37	59.54	
	457		6.35	7.92	11.13	9.52	14.27	19.05	23.83	29.36	34.93	39.67	45.24		
24" x 16"	610	508	6.35	9.52	14.27	9.52	17.48	24.61	12.70	30.96	38.89	46.02	52.37	59.54	
	406		6.35	7.92	9.52	9.52	12.70	16.66	21.44	26.19	30.96	36.53	40.49		
26" x 24"	660	610	7.92	12.70		9.52			12.70						
	610		6.35	9.52		9.52			12.70						
26" x 22"	660	610	7.92	12.70		9.52			12.70						
	559		6.35	9.52		9.52			12.70						
26" x 20"	660	610	7.92	12.70		9.52			12.70						
	508		6.35	9.52		9.52			12.70						
26" x 18"	660	610	7.92	12.70		9.52			12.70						
	457		6.35	9.52		9.52			12.70						
28" x 26"	711	610	7.92	12.70		9.52			12.70						
	660		7.92	12.70		9.52			12.70						
28" x 24"	711	610	7.92	12.70	15.88	9.52			12.70						
	610		6.35	9.52	14.27	9.52			12.70						
28" x 20"	711	610	7.92	12.70	15.88	9.52			12.70						
	508		6.35	9.52	12.70	9.52			12.70						
28" x 18"	711	610	7.92	12.70	15.88	9.52			12.70						
	457		6.35	7.92	11.13	9.52			12.70						
30" x 28"	762	610	7.92	12.70	15.88	9.52			12.70						
	711		7.92	12.70	15.88	9.52			12.70						
30" x 26"	762	610	7.92	12.70		9.52			12.70						
	660		7.92	12.70		9.52			12.70						
30" x 24"	762	610	7.92	12.70	15.88	9.52			12.70						
	610		6.35	9.52	14.27	9.52			12.70						
30" x 20"	762	610	7.92	12.70	15.88	9.52			12.70						
	508		6.35	9.52	12.70	9.52			12.70						
32" x 30"	813	610	7.92	12.70	15.88	9.52			12.70						
	762		7.92	12.70	15.88	9.52			12.70						
32" x 28"	813	610	7.92	12.70	15.88	9.52			12.70						
	711		7.92	12.70	15.88	9.52			12.70						
32" x 26"	813	610	7.92	12.70		9.52			12.70						
	660		7.92	12.70		9.52			12.70						
32" x 24"	813	610	7.92	12.70	15.88	9.52			12.70						
	610		6.35	9.52	14.27	9.52			12.70						
34" x 32"	864	610	12.70	15.88	15.88	9.52			12.70						
	813		12.70	15.88	15.88	9.52			12.70						
34" x 30"	864	610	12.70	15.88	15.88	9.52			12.70						
	762		12.70	15.88	15.88	9.52			12.70						
34" x 26"	864	610	12.70	15.88	15.88	9.52			12.70						
	711		12.70	15.88	15.88	9.52			12.70						
34" x 24"	864	610	12.70	15.88	15.88	9.52			12.70						
	610		9.52	14.27	14.27	9.52			12.70						
36" x 34"	914	610	12.70	15.88	15.88	9.52			12.70						
	864		12.70	15.88	15.88	9.52			12.70						
36" x 32"	914	610	12.70	15.88	15.88	9.52	17.48		12.70						
	813		12.70	15.88	15.88	9.52	17.48		12.70						
36" x 30"	914	610	12.70	15.88	15.88	9.52			12.70						
	762		12.70	15.88	15.88	9.52			12.70						
36" x 26"	914	610	12.70			9.52			12.70						
	660		12.70			9.52			12.70						
36" x 24"	914	610	12.70	15.88	15.88	9.52			12.70						
	610		9.52	14.27	14.27	9.52			12.70						

Reducción Concéntrica y Excéntrica

ANSI B-16.9



Diámetro nominal	Diámetro exterior al bisel (mm) D	De extremo a extremo H (mm)	STD		X.S.	
			t ₁ (mm)	t ₂ (mm)	t ₁ (mm)	t ₂ (mm)
38" x 36"	965	610	9.52	12.70	9.52	12.70
	914		9.52	12.70	9.52	12.70
			136.00	186.00	136.00	186.00
38" x 34"	965	610	9.52	12.70	9.52	12.70
	864		9.52	12.70	9.52	12.70
			136.00	186.00	136.00	186.00
38" x 32"	965	610	9.52	12.70	9.52	12.70
	813		9.52	12.70	9.52	12.70
			136.00	186.00	136.00	186.00
38" x 30"	965	610	9.52	12.70	9.52	12.70
	762		9.52	12.70	9.52	12.70
			136.00	186.00	136.00	186.00
38" x 28"	965	610	9.52	12.70	9.52	12.70
	711		9.52	12.70	9.52	12.70
			136.00	186.00	136.00	186.00
38" x 26"	965	610	9.52	12.70	9.52	12.70
	660		9.52	12.70	9.52	12.70
			136.00	186.00	136.00	186.00
40" x 38"	1015	610	9.52	12.70	9.52	12.70
	965		9.52	12.70	9.52	12.70
			143.00	193.00	143.00	193.00
40" x 36"	1016	610	9.52	12.70	9.52	12.70
	914		9.52	12.70	9.52	12.70
			143.00	193.00	143.00	193.00
40" x 34"	1016	610	9.52	12.70	9.52	12.70
	864		9.52	12.70	9.52	12.70
			143.00	193.00	143.00	193.00
40" x 32"	1016	610	9.52	12.70	9.52	12.70
	813		9.52	12.70	9.52	12.70
			143.00	193.00	143.00	193.00
40" x 30"	1016	610	9.52	12.70	9.52	12.70
	762		9.52	12.70	9.52	12.70
			143.00	193.00	143.00	193.00
42" x 40"	1067	610	9.52	12.70	9.52	12.70
	1016		9.52	12.70	9.52	12.70
			152.00	201.00	152.00	201.00
42" x 38"	1067	610	9.52	12.70	9.52	12.70
	965		9.52	12.70	9.52	12.70
			152.00	201.00	152.00	201.00
42" x 36"	1067	610	9.52	12.70	9.52	12.70
	914		9.52	12.70	9.52	12.70
			152.00	201.00	152.00	201.00
42" x 34"	1067	610	9.52	12.70	9.52	12.70
	864		9.52	12.70	9.52	12.70
			152.00	201.00	152.00	201.00
42" x 32"	1067	610	9.52	12.70	9.52	12.70
	813		9.52	12.70	9.52	12.70
			152.00	201.00	152.00	201.00
42" x 30"	1067	610	9.52	12.70	9.52	12.70
	762		9.52	12.70	9.52	12.70
			152.00	201.00	152.00	201.00
44" x 42"	1118	610	9.52	12.70	9.52	12.70
	1067		9.52	12.70	9.52	12.70
			159.00	211.00	159.00	211.00
44" x 40"	1118	610	9.52	12.70	9.52	12.70
	1016		9.52	12.70	9.52	12.70
			159.00	211.00	159.00	211.00
44" x 38"	1118	610	9.52	12.70	9.52	12.70
	965		9.52	12.70	9.52	12.70
			159.00	211.00	159.00	211.00
44" x 36"	1118	610	9.52	12.70	9.52	12.70
	914		9.52	12.70	9.52	12.70
			159.00	211.00	159.00	211.00
46" x 44"	1168	711	9.52	12.70	9.52	12.70
	1118		9.52	12.70	9.52	12.70
			170.00	225.00	170.00	225.00
46" x 42"	1168	711	9.52	12.70	9.52	12.70
	1067		9.52	12.70	9.52	12.70
			170.00	225.00	170.00	225.00
46" x 40"	1168	711	9.52	9.52	9.52	9.52
	1016		9.52	9.52	9.52	9.52
			170.00	170.00	170.00	170.00
46" x 38"	1168	711	9.52	9.52	9.52	9.52
	965		9.52	9.52	9.52	9.52
			170.00	170.00	170.00	170.00
48" x 46"	1219	711	9.52	9.52	9.52	9.52
	1168		9.52	9.52	9.52	9.52
			181.00	181.00	181.00	181.00
48" x 44"	1219	711	9.52	9.52	9.52	9.52
	1118		9.52	9.52	9.52	9.52
			181.00	181.00	181.00	181.00
48" x 42"	1219	711	9.52	9.52	9.52	9.52
	1067		9.52	9.52	9.52	9.52
			181.00	181.00	181.00	181.00
48" x 40"	1219	711	9.52	9.52	9.52	9.52
	1016		9.52	9.52	9.52	9.52
			181.00	181.00	181.00	181.00